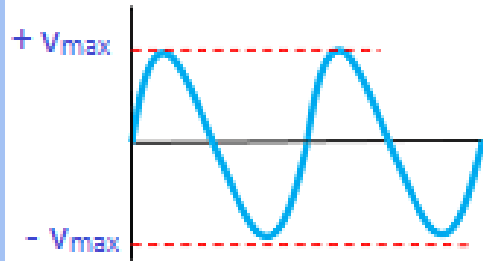


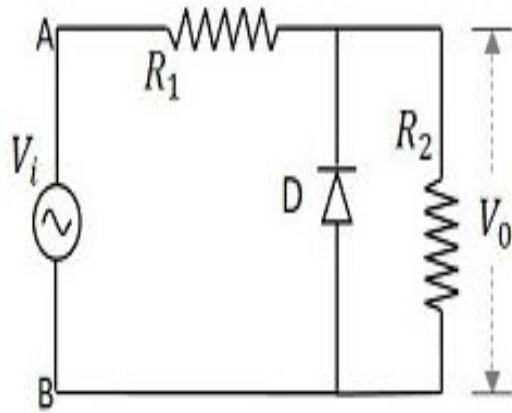
Shunt Negative Clipper

Elementrix Classes

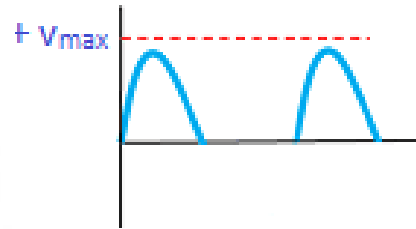
Shunt Negative Clipper



Input waveform



Shunt negative clipper



Output waveform

- ❑ In shunt negative clipper, **during the positive half cycle** the diode is reverse biased and hence the entire positive half cycle appears at the output. On the other hand, **during the negative half cycle** the diode is forward biased and hence no output signal is generated.

पढ़िए और पढ़ाइये

SUBSCRIBE, SHARE, COMMENT