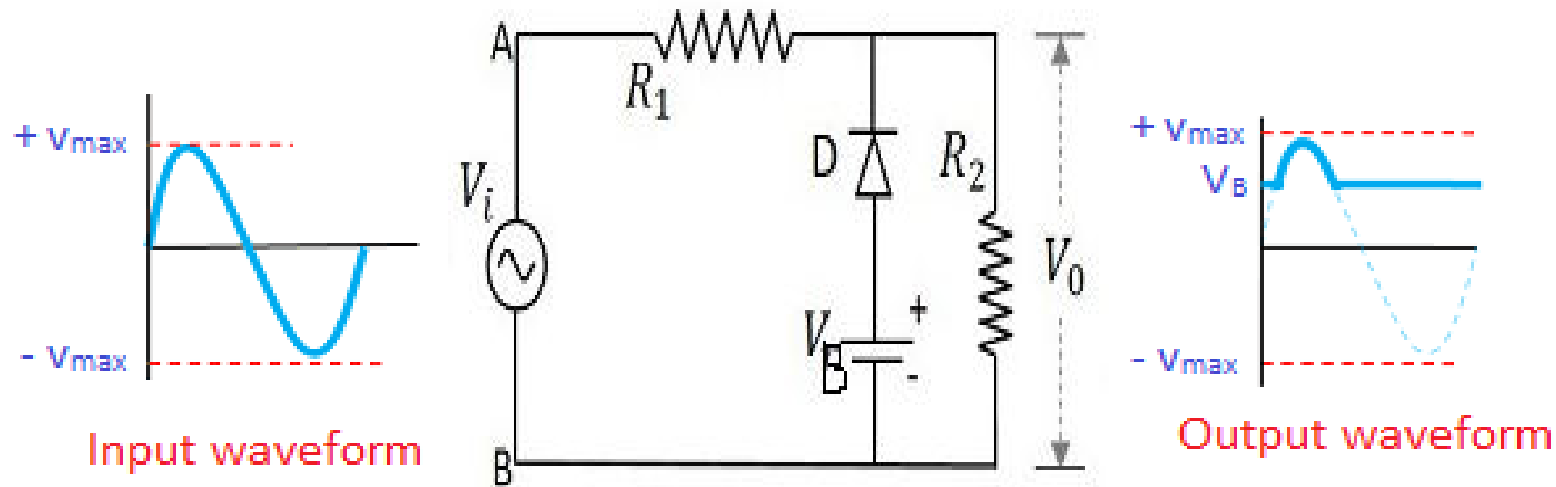


Shunt Negative Clipper with Positive Bias

Elementrix Classes

Shunt Negative Clipper with Positive Bias



Shunt negative clipper with positive bias

- ❑ **During the positive half cycle**, the diode is reverse biased by the input supply voltage V_i and forward biased by the battery voltage V_B . However, initially, the input supply voltage is less than the battery voltage. So the diode is forward biased by the battery voltage. As a result, no signal appears at the output. However, when the input supply voltage becomes greater than the battery voltage then the diode is reverse biased by the input supply voltage. As a result, the signal appears at the output.
- ❑ **During the negative half cycle**, the diode is forward biased by both input supply voltage V_i and battery voltage V_B . So the complete negative half cycle is removed at the output.

पढ़िए और पढ़ाइये

SUBSCRIBE, SHARE, COMMENT